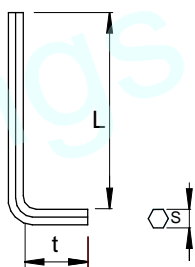


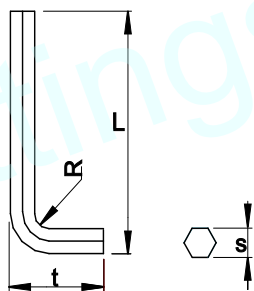
DIN911, HEX ALLEN KEY

ART.NO.	SIZE:	SW	L	T
911SW1.5	SW1.5	1.5	45	14
911SW2	SW2	2	50	16
911SW2.5	SW2.5	2.5	56	18
911SW3	SW3	3	63	20
911SW4	SW4	4	70	25
911SW5	SW5	5	80	28
911SW6	SW6	6	90	32
911SW8	SW8	8	100	36



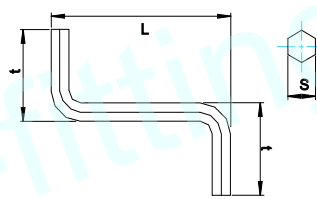
HEX ALLEN KEY

ART.NO.	SIZE:	SW	L	T
ALK2L16050	SW2	2	50	16
ALK2.5L18050	SW2.5	2.5	50	18
ALK3L20060	SW3	3	60	20
ALK4L20060	SW4	4	60	20
ALK5L25070	SW5	5	70	25
ALK6L28080	SW6	6	80	28
ALK7L30080	SW7	7	80	30
ALK8L32090	SW8	8	90	32



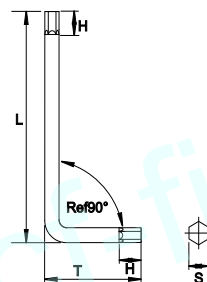
HEX ALLEN KEY-Z TYPE

ART.NO.	SIZE:	SW	L	t
ALK3Z	SW3	3	44	22
ALK4Z	SW4	4	44	22
ALK4ZL	SW4	4	50	20
ALK5Z	SW5	5	54	28
ALK6Z	SW6	6	54	28



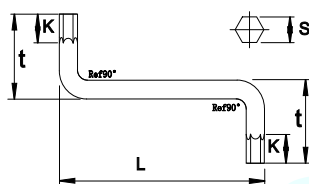
HEXAGON KEY L SHARP-ROUND BODY

ART.NO.	SIZE:	SW	L	T
RALK2L	SW2	2	54	18
RALK2.5L	SW2.5	2.5	54	18
RALK3L	SW3	3	60	22
RALK4L	SW4	4	66	28
RALK5L	SW5	5	76	31
RALK6L	SW6	6	86	36
RALK8L	SW8	8	88	33



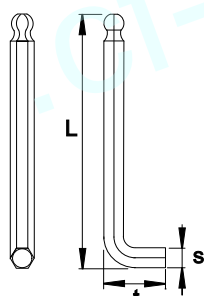
HEXAGON KEY MINI-ROUND BODY Z TYPE

ART.NO.	SIZE:	SW	L	t
RALK3Z	SW3	3	46	19
RALK4Z	SW4	4	48	20
RALK5Z	SW5	5	48	22



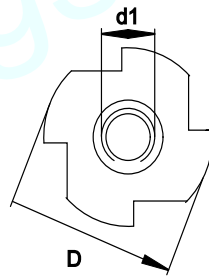
HEXAGON KEY WITH BALL HEAD

ART.NO.	SIZE:	SW	L	t
BALK2L	SW2	2	80	16
BALK2.5L	SW2.5	2.5	87	18
BALK3L	SW3	3	96	20
BALK4L	SW4	4	107	24
BALK5L	SW5	5	120	28
BALK6L	SW6	6	136	32
BALK8L	SW8	8	154	36
BALK10L	SW10	10	172	40



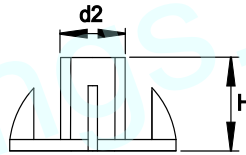
TEE NUT

ART.NO.	SIZE:d1xH	d1	D	d2	H
TNT408	M4x8	M4	15	5.2	8
TNT508	M5x8	M5	18	6.2	8
TNT609	M6x9	M6	19	7.3	9
TNT6012	M6x12	M6	19	7.3	12
TNT6015	M6x15	M6	19	7.3	15
TNT6018	M6x18	M6	19	7.3	18
TNT8011	M8x11	M8	22	9.2	11
TNT8015	M8x15	M8	22	9.5	15
TNT8017	M8x15	M8	22	9.5	15
TNT1013	M10x13	M10	25	11.1	13



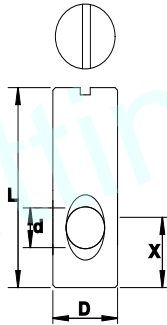
TEE NUT

ART.NO.	SIZE:	d1	D	d2	H
TNT3/16	3/16x8	3/16	17	5.2	8
TNT1/4	1/4x9	1/4	19	7.3	9
TNT5/16	5/16x11	5/16	22	9.5	11
TNT3/8	3/8x13	3/8	25	11.5	13



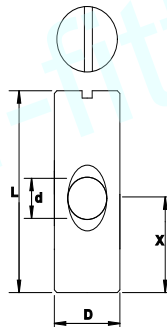
BARREL NUT(ASSEMBLY NUT) eccetric

ART.NO.	SIZE:	d	D	L	x
BRN5014	M5x10x14	M5	10	14	6
BRN6012.5	M6x10x12.5	M6	10	12.5	5
BRN6013	M6x10x13	M6	10	13	5
BRN6014	M6x10x14	M6	10	14	5
BRN6014	M6x10x14	M6	10	14	6
BRN6016	M6x10x16	M6	10	16	5
BRN6016	M6x10x16	M6	10	16	6
BRN6017	M6x10x17	M6	10	17	5
BRN6030	M6x10x30	M6	10	30	10
BRN6040	M6x10x50	M6	10	50	10



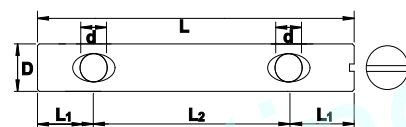
BARREL NUT(ASSEMBLY NUT) cetric

ART.NO.	SIZE:	d	D	L	x
BRN6016	M6x10x16	M6	10	16	8
BRN6018	M6x10x18	M6	10	18	9
BRN6020	M6x10x20	M6	10	20	10
BRN6030	M6x10x30	M6	10	30	15
BRN6040	M6x10x40	M6	10	40	20
BRN8015	M8x12x14	M8	12	14	7
BRN8020	M8x12x20	M8	12	20	10
BRN8030	M8x12x30	M8	12	30	15
BRN8040	M8x12x40	M8	12	40	20
BRN8050	M8x12x50	M8	12	50	25
BRN8060	M8x12x60	M8	12	60	30



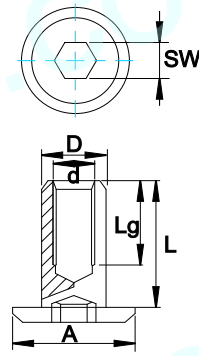
BARREL NUT WITH DOUBLE HOLES(NUT ASSEMBLY DOUBLE)

ART.NO.	SIZE:	d	D	L	L1	L2
BRN6048DH	M6x10x48	M6	10	48	8	32
BRN6060DH	M6x10x57	M6	10	57	10	16
BRN6082DH	M6x10x64	M6	10	64	16	32
BRN6082DH	M6x10x82	M6	10	82	9	64
BRN8060DH	M8x12x60	M8	12	60	14	32
BRN8080DH	M8x12x80	M8	12	80	14	52
BRN8090DH	M8x12x90	M8	12	90	14	62



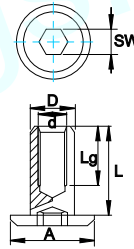
SLEEVE NUT

ART.NO.	SIZE:	d	D	A	SW	L	Lg
SLN608012	M6x8x12	M6	8	15	4	12	8
SLN608015	M6x8x15	M6	8	15	4	15	10
SLN608018	M6x8x18	M6	8	15	4	18	14
SLN608020	M6x8x20	M6	8	15	4	20	15
SLN608022	M6x8x22	M6	8	15	4	22	15
SLN608025	M6x8x25	M6	8	15	4	25	15
SLN608025	M6x8x29	M6	8	15	4	29	15



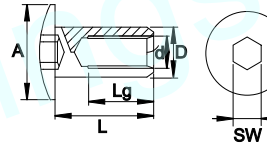
SLEEVE NUT FLAT HEAD

ART.NO.	SIZE:	d	D	A	SW	L	Lg
SLN609012	M6x9x12	M6	9	15	4	12	8
SLN609012	M6x9x12	M6	9	15	5	12	8
SLN801016	M8x10x16	M8	10	19	5	16	12
SLN101316	M10x13x16	M10	13	20	6	16	12



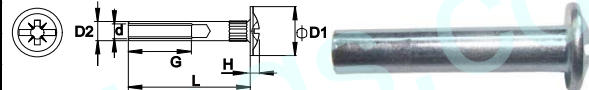
SLEEVE NUT PAN HEAD

ART.NO.	SIZE:	d	D	A	SW	L	Lg
SLN609012	M6x9x12	M6	9	15	4	12	8
SLN609012	M6x9x12	M6	9	15	5	12	8
SLN801016	M8x10x16	M8	10	20	5	16	12
SLN101313	M10x13x13	M10	13	20	5	13	9



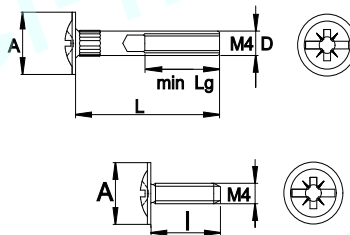
Assembly sleeve

ART.NO.	SIZE:	d	L	D2	D1	H	G
SLNC4025	M4x25	M4	25	4.9	9.5	2.3	13
SLNC40135	M4x13.5	M4	13.5	4.9	9.5	2.3	10.5
SLNC4009	M4x9	M4	9	4.9	10	2.3	6



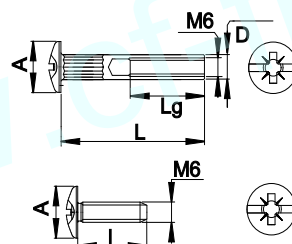
CONNECTING SCREW

ART.NO.	SIZE:	D	A	L	Lg
CON4015	M4x15	4.9	9.5	15	10
CON4020	M4x20	4.9	9.5	20	15
CON4025	M4x25	4.9	9.5	25	15
CON4027	M4x27	4.9	9.5	27	15
CON4030	M4x30	4.9	9.5	30	15
CON4032	M4x32	4.9	9.5	32	15
CON4035	M4x35	4.9	9.5	35	15



CONNECTING SCREW

ART.NO.	SIZE:	D	A	L	Lg
CON6015	M6x15	7.5	14	15	10
CON6020	M6x20	7.5	14	20	15
CON6025	M6x25	7.5	14	25	15
CON6027	M6x27	7.5	14	27	15
CON6030	M6x30	7.5	14	30	15
CON6038	M6x38	7.5	14	38	15





INSERT NUT TYPE E

ART.NO.	SIZE:	d	L	D	S
IST6013E	M6x13	M6	13	11.4	6
IST6015E	M6x15	M6	15	11.6	6
IST60185E	M6x18	M6	18	11.5	6
IST6020E	M6x20	M6	20	12	6
IST8010E	M8x10	M8	10	12.5	8
IST8013E	M8x13	M8	13	12.5	8
IST8015E	M8x15	M8	15	14	8
IST8018E	M8x18	M8	18	14	8
IST8023E	M8x23	M8	23	14	8
IST8025E	M8x35	M8	35	15	8
IST10025E	M10x25	M10	25	19	10



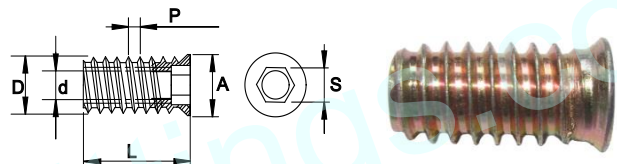
INSERT NUT TYPE D

ART.NO.	SIZE:	d	L	D	S
IST6013D	M6x13	M6	13	12	6
IST6015D	M6x15	M6	15	12	6
IST6018D	M6x18	M6	18	12	6
IST6020D	M6x20	M6	20	12	6
IST8010D	M8x10	M8	10	12	8
IST8013D	M8x13	M8	13	14	8
IST8015D	M8x15	M8	15	14	8
IST8018D	M8x18	M8	18	14	8
IST8023D	M8x23	M8	23	14	8
IST8025D	M8x25	M8	25	14	8
IST10015D	M10x15	M10	15	17	10
IST10020D	M10x20	M10	20	17	10
IST10025D	M10x25	M10	25	17	10



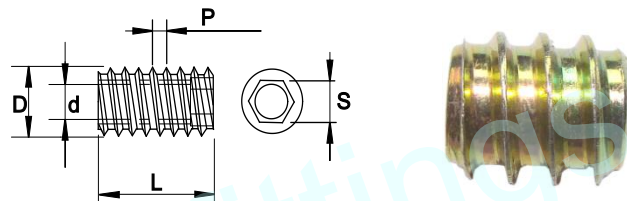
INSERT NUT - STEEL

ART.NO.	SIZE:	d	L	A	D	S
IST-SF6012	M6x12	M6	12	12	10	6
IST-SF6015	M6x15	M6	15	12	10	6
IST-SF6020	M6x20	M6	20	12	10	6
IST-SF8012	M8x12	M8	12	14	12.5	8
IST-SF8015	M8x15	M8	15	14	12.5	8
IST-SF8018	M8x18	M8	18	14	12.5	8
IST-SF8020	M8x20	M8	20	14	12.5	8
IST-SF1020	M10x20	M10	20	17	15	10



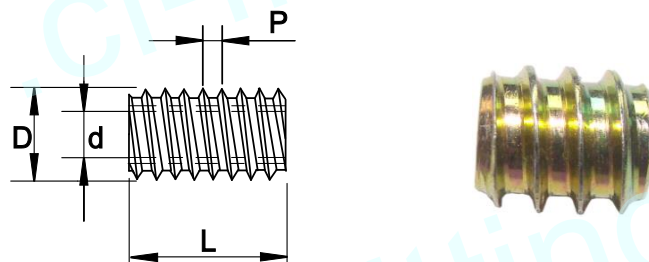
INSERT NUT - STEEL

ART.NO.	SIZE:	d	L	D	S
IST-SH6012	M6x12	M6	12	10	6
IST-SH6015	M6x15	M6	15	10	6
IST-SH6020	M6x20	M6	20	10	6
IST-SH8015	M8x15	M8	15	14.5	8
IST-SH8018	M8x18	M8	18	14.5	8



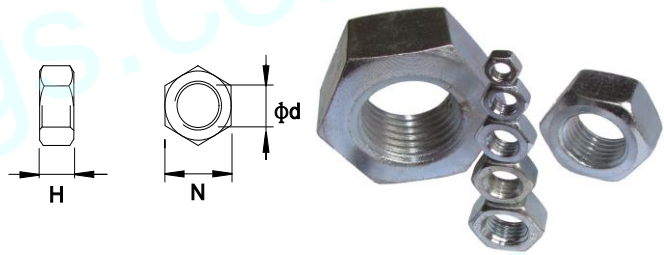
INSERT NUT - STEEL

ART.NO.	SIZE:	d	L	D	S
IST-S6012	M6x12	M6	12	10	-
IST-S6015	M6x15	M6	15	10	-
IST-S6020	M6x20	M6	20	10	-
IST-S8015	M8x15	M8	15	12.5	-
IST-S8018	M8x18	M8	18	12.5	-
IST-S1020	M10x20	M10	20	15	-



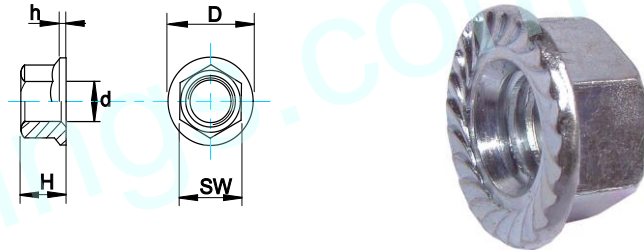
HEX NUT DIN934

ART.NO.	SIZE:	d	P	H	N
HXNT4	M4	M4	0.7	3.2	7
HXNT5	M5	M5	0.8	4	8
HXNT6	M6	M6	1	5	10
HXNT8	M8	M8	1.25	6.5	13
HXNT10	M10	M10	1.5	8	17
HXNT12	M12	M12	1.75	10	19



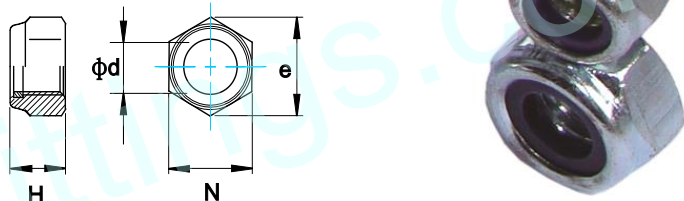
FLANGE HEX NUT DIN6923

ART.NO.	SIZE:	D	SW	H	h
FLNT4	M4	10	7	4.5	1.5
FLNT5	M5	11.8	8	5	1.5
FLNT6	M6	14.2	10	6	2
FLNT8	M8	18	13	8	2
FLNT10	M10	21.8	15	10	2



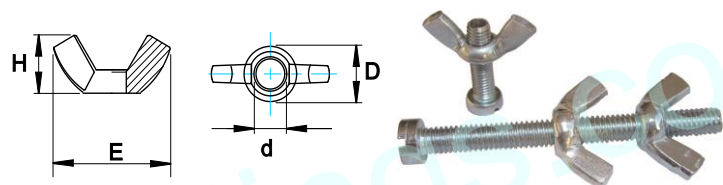
NILON NUT DIN985

ART.NO.	SIZE:	d	N	H
NLNTM5	M5	M5	8	5
NLNTM6	M6	M6	10	6
NLNTM8	M8	M8	13	8
NLNTM10	M10	M10	17	10
NLNTM12	M12	M12	19	12
NLNTM14	M14	M14	22	14
NLNTM16	M16	M16	24	16
NLNTM18	M18	M18	27	18.5
NLNTM20	M20	M20	30	20



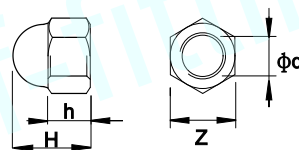
WING NUT

ART.NO.	SIZE:	d	D	E	H
WNT05	M5	m5	10	22	11.5
WNT06	M6	m6	12.5	27.8	13.7
WNT08	M8	m8	14	30.3	16



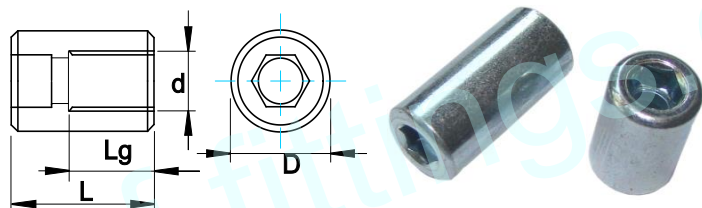
CAP NUT

ART.NO.	SIZE:	Z	H	h
CPN06	M6	10	12	5
CPN08	M8	13	15	6.5
CPN10	M10	17	18	8



NUT SLEEVE

ART.NO.	SIZE:	d	D	L	Lg
NSLV6013	M6x10x13	M6	10	13	7
NSLV6014	M6x10x14	M6	10	14	8
NSLV6017	M6x10x17	M6	10	17	12
NSLV6020	M6x10x20	M6	10	20	14
NSLV6023	M6x10x23	M6	10	23	15
NSLV6030	M6x10x30	M6	10	30	15
NSLV6036	M6x10x36	M6	10	36	15



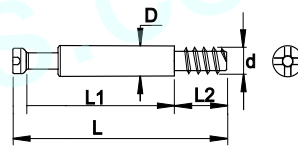
ZINC ALLOY NUT

ART.NO.	SIZE:	D	H	h
CAM15010	φ15x10	15	10	
CAM15012	φ15x12	15	12	
CAM15013.3	φ15x13.3	15	13.3	
CAM15015	φ15x15	15	15	



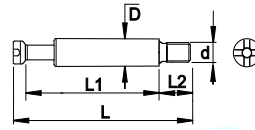
THREE IN ONE BOLT

ART.NO.	SIZE:	d	D	L	L1	L2
TIO63045	6.3X42	6.3	6.8	45	34	11
TIO63035	6.3X32	6.3	6.8	35	24	11



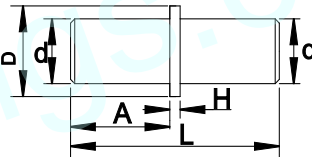
THREE IN ONE BOLT

ART.NO.	SIZE:	d	D	L	L1	L2
TIO63042	M6X42	M6	6.8	42	34	8
TIO63035	M6X32	M6	6.8	32	24	8



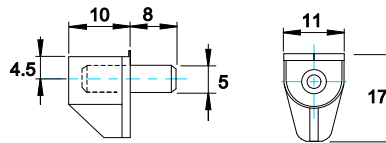
SHELF SUPPORT

ART.NO.	SIZE:	d	L	A	D	H
SSB3016	3x16	5	16	7.6	5	0.5
SSB4016	4x16	6	16	7.6	6	0.6
SSB5016	5x16	7	16	7.7	7	0.6



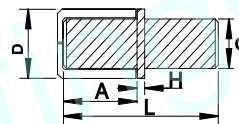
SHELF SUPPORT

ART.NO.	SIZE:	D	A	L	Lg
SSB5018	5x18	5	11	18	8



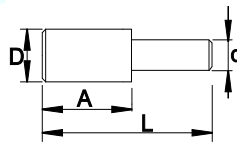
SHELF SUPPORT WITH PLASTIC CAP

ART.NO.	SIZE:	d	L	A	D	H
SSB5016C	5x16	5	16.8	7.7	6.8	0.6



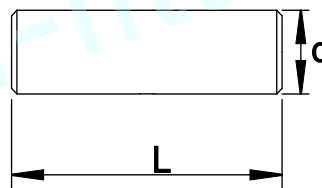
SHELF SUPPORT WITH PLASTIC CAP

ART.NO.	SIZE:	d	D	L	A
SSB35017	3/5x17	3	5	17	9



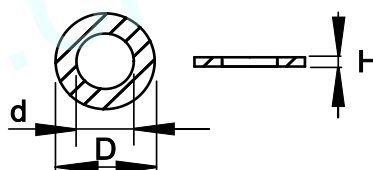
SHELF SUPPORT I TYPE

ART.NO.	SIZE:	d	L		
SSB3016I	3x16	3	16		
SSB5016I	5x16	5	16		
SSB5020I	5x20	5	20		
SSB5022I	5x22	5	22		
SSB5024I	5x24	5	24		
SSB5030I	5x30	5	30		
SSB5035I	5x35	5	35		
SSB5040I	5x40	5	40		
SSB6030I	6x30	6	30		
SSB6040I	6x40	6	40		
SSB6050I	6x50	6	50		
SSB6055I	6x55	6	55		
SSB6060I	6x60	6	60		



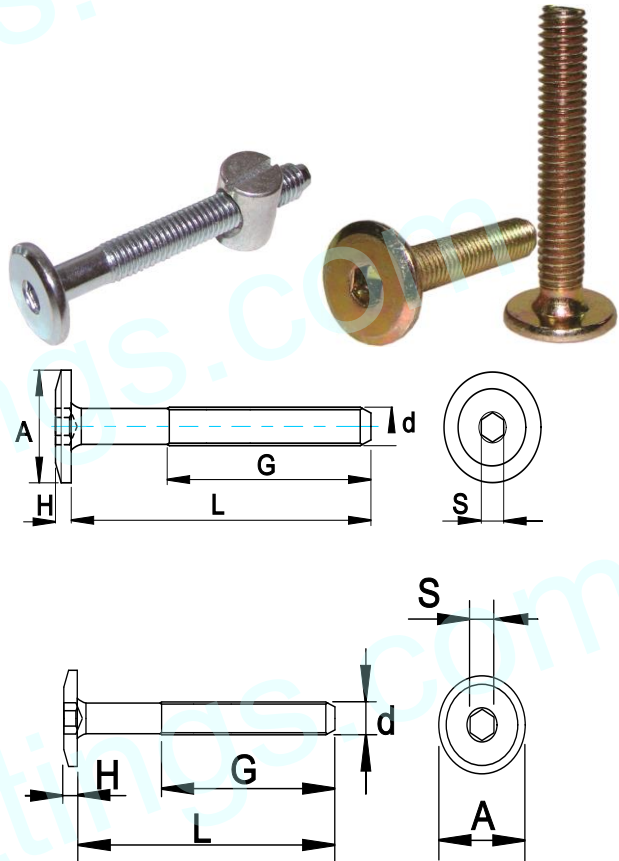
WASHER DIN125 (DIN440/DIN9021/DIN127 AVAILABLE)

ART.NO.	SIZE:	d	D	H
WSH02	M2	2.2	5	0.3
WSH03	M3	3.2	7	0.5
WSH04	M4	4.3	9	0.8
WSH05	M5	5.3	10	1
WSH06	M6	6.4	12.5	1.6
WSH08	M8	8.4	16	1.6
WSH10	M10	10.5	20	2
WSH12	M12	11.5	24	2.5



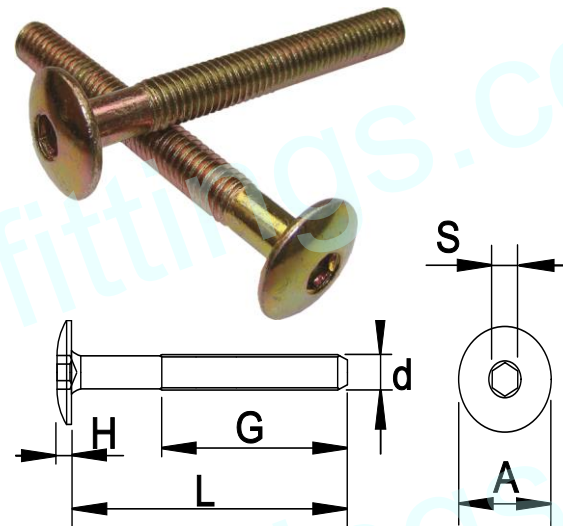
CONNECTOR BOLT - Hex socket head screw

ART.NO.	SIZE:	d	A	S	L	Lg
CNB6012	M6x12	M6	14.5	4	12	10
CNB6015	M6x15	M6	14.5	4	15	12
CNB6020	M6x20	M6	14.5	4	20	17
CNB6025	M6x25	M6	14.5	4	25	23
CNB6030	M6x30	M6	14.5	4	30	27
CNB6035	M6x35	M6	14.5	4	35	33
CNB6040	M6x40	M6	14.5	4	40	37
CNB6045	M6x45	M6	14.5	4	45	42
CNB6050	M6x50	M6	14.5	4	50	47
CNB6055	M6x55	M6	14.5	4	55	50
CNB6060	M6x60	M6	14.5	4	60	50
CNB6065	M6x65	M6	14.5	4	65	50
CNB6070	M6x70	M6	14.5	4	70	60
CNB6075	M6x75	M6	14.5	4	75	60
CNB6080	M6x80	M6	14.5	4	80	60
CNB6090	M6x90	M6	14.5	4	90	60
CNB6100	M6x100	M6	14.5	4	100	80
CNB6110	M6x110	M6	14.5	4	110	80
CNB6120	M6x120	M6	14.5	4	120	80
CNB8030	M8x30	M8	18	5	30	27
CNB8040	M8x40	M8	18	5	40	37
CNB8050	M8x50	M8	18	5	50	47
CNB8060	M8x60	M8	18	5	60	50
CNB8070	M8x70	M8	18	5	70	50
CNB8080	M8x80	M8	18	5	80	50
CNB8090	M8x90	M8	18	5	90	50
CNB8100	M8x100	M8	18	5	100	80
CNB8110	M8x110	M8	18	5	110	80
CNB8120	M8x120	M8	18	5	120	80



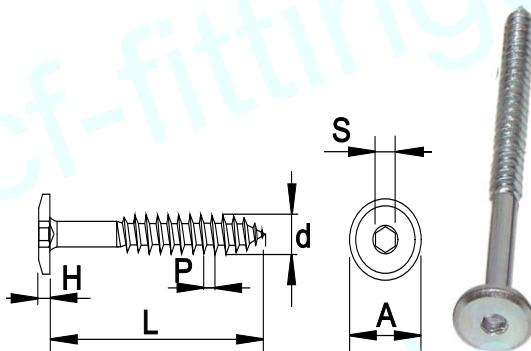
CONNECTOR BOLT ROUND HEAD- Hex socket round head screw

ART.NO.	SIZE:	d	A	S	L	Lg
CNBR6012	M6x12	M6	15	4	12	15
CNBR6015	M6x15	M6	15	4	15	12
CNBR6020	M6x20	M6	15	4	20	17
CNBR6025	M6x25	M6	15	4	25	23
CNBR6030	M6x30	M6	15	4	30	27
CNBR6035	M6x35	M6	15	4	35	33
CNBR6040	M6x40	M6	15	4	40	37
CNBR6045	M6x45	M6	15	4	45	42
CNBR6050	M6x50	M6	15	4	50	47
CNBR6055	M6x55	M6	15	4	55	50
CNBR6060	M6x60	M6	15	4	60	50
CNBR6065	M6x65	M6	15	4	65	50
CNBR6070	M6x70	M6	15	4	70	60
CNBR6075	M6x75	M6	15	4	75	60
CNBR6080	M6x80	M6	15	4	80	60
CNBR6090	M6x90	M6	15	4	90	60
CNBR6100	M6x100	M6	15	4	100	80
CNBR6110	M6x110	M6	15	4	110	80
CNBR6120	M6x120	M6	15	4	120	80



CONNECTOR WOOD SCREW - Hex socket head wood screw

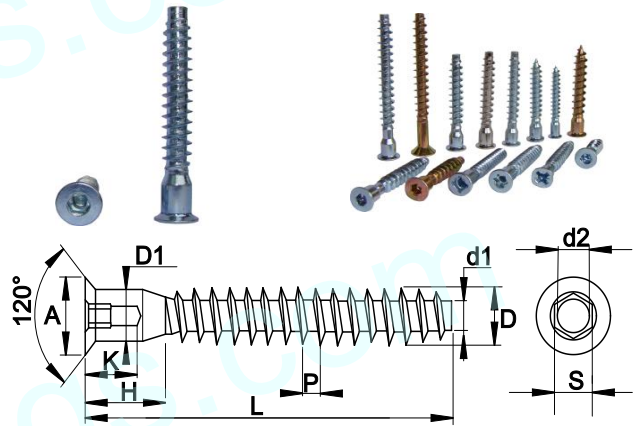
ART.NO.	SIZE:	d	A	S	L	H
CNS63040	6.3x40	6.3	15	4	40	2.5
CNS63050	6.3x50	6.3	15	4	50	2.5
CNS63060	6.3x60	6.3	15	4	60	2.5
CNS63070	6.3x70	6.3	15	4	70	2.5
CNS63080	6.3x80	6.3	15	4	80	2.5
CNS63090	6.3x90	6.3	15	4	90	2.5
CNS630100	6.3x100	6.3	15	4	100	2.5
CNS630110	6.3x110	6.3	15	4	110	2.5





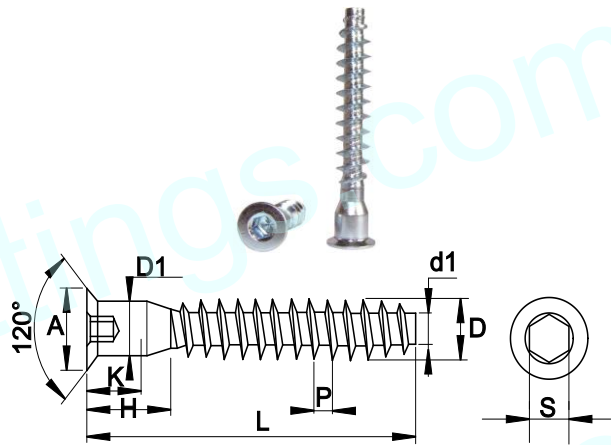
CONFIRMAT SCREW - HEX SOKET WITH CAP HOLE

ART.NO.	SIZE:	D	L	A	P	S
KONHH5030	5x30	5	30	7.5	2.2	3
KONHH5040	5x40	5	40	7.5	2.2	3
KONHH5050	5x50	5	50	7.5	2.2	3
KONHH5070	5x70	5	70	7.5	2.2	3
KONHH63040	6.3x40	6.3	40	9.5	2.6/3	4
KONHH63050	6.3x50	6.3	50	9.5	2.6/3	4
KONHH63060	6.3x60	6.3	60	9.5	2.6/3	4
KONHH63070	6.3x70	6.3	70	9.5	2.6/3	4
KONHH7030	7x30	7	30	10	3	4
KONHH7040	7x40	7	40	10	3	4
KONHH7050	7x50	7	50	10	3	4
KONHH7060	7x60	7	60	10	3	4
KONHH7070	7x70	7	70	10	3	4



CONFIRMAT SCREW - HEX SOKET

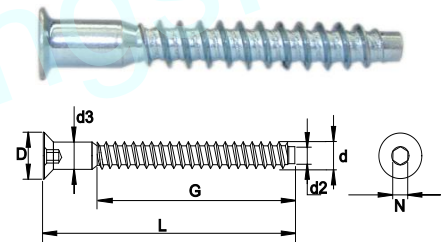
ART.NO.	SIZE:	D	L	A	P	S
KON5030	5x30	5	30	7.5	2.2	3
KON5040	5x40	5	40	7.5	2.2	3
KON5050	5x50	5	50	7.5	2.2	3
KON5070	5x70	5	70	7.5	2.2	3
KON63040	6.3x40	6.3	40	9.5	2.6/3	4
KON63050	6.3x50	6.3	50	9.5	2.6/3	4
KON63060	6.3x60	6.3	60	9.5	2.6/3	4
KON63070	6.3x70	6.3	70	9.5	2.6/3	4
KON7030	7x30	7	30	10	3	4
KON7040	7x40	7	40	10	3	4
KON7050	7x50	7	50	10	3	4
KON7060	7x60	7	60	10	3	4
KON7070	7x70	7	70	10	3	4
KON7085	7x85	7	85	12	2.4	4



CONFIRMAT SCREW - HEX SOKET

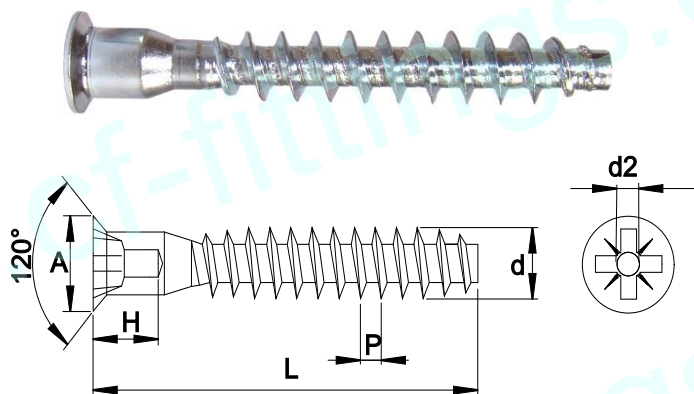
SPEC

ART.NO.	SIZE:	D	L	A	P	S	G
KON5050	5x50	5	50	7.5	2.2	3	38
KON7050	7x50	7	50	10	2.4	4	35
KON7060	7x60	7	60	10	2.4	4	46
KON7070	7x70	7	70	10	2.4	4	54
KON7085	7x85	7	85	12	2.4	4	54



CONFIRMAT SCREW - POZI WITH HOLE

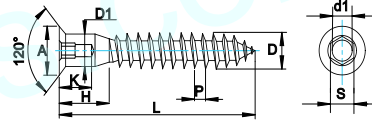
ART.NO.	SIZE:	D	L	A	P
KON5030PH	5x30	5	30	7.5	2.2
KON5040PH	5x40	5	40	7.5	2.2
KON5050PH	5x50	5	50	7.5	2.2
KON5070PH	5x70	5	70	7.5	2.2
KON63040PH	6.3x40	6.3	40	9.5	2.6/3
KON63050PH	6.3x50	6.3	50	9.5	2.6/3
KON63060PH	6.3x60	6.3	60	9.5	2.6/3
KON63070PH	6.3x70	6.3	70	9.5	2.6/3
KON7030PH	7x30	7	30	10	3
KON7040PH	7x40	7	40	10	3
KON7050PH	7x50	7	50	10	3
KON7060PH	7x60	7	60	10	3
KON7070PH	7x70	7	70	10	3





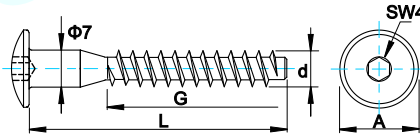
CONFIRMAT SCREW SHARP END- HEX SOKET WITH CAP HOLE

ART.NO.	SIZE:	D	L	A	P
KONS63050HH	6.3x50	6.3	50	9.5	2.6/3
KONS5055HH	7x50	7	50	10	3



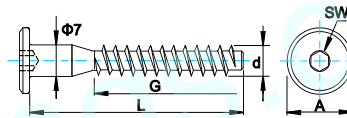
HEX SOCKET PAN HEAD CONFIRMAT SCREW

ART.NO.	SIZE:	d	A	L	Lg
PKON7050	7x50	7	15	50	40
PKON7070	7x70	7	15	70	60



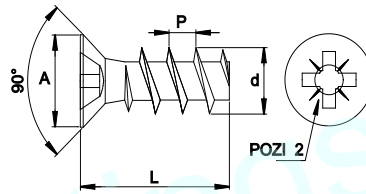
HEX SOCKET FLAT HEAD CONFIRMAT SCREW

ART.NO.	SIZE:	d	D	L	H
FKON7050	7x50	7	15	50	40
FKON7070	7x70	7	15	70	60



Euro screw - Flat head

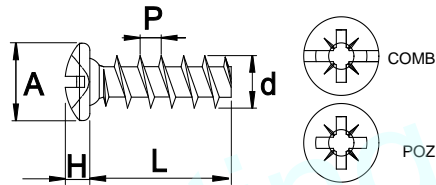
ART.NO.	SIZE:	d	L	A	P
EUR5010	5x10	5	9	7	2.2
EUR5013	5x13	5	13	7	2.2
EUR6010	6x10	6	9	7	2.6
EUR6013	6x13	6	13	7	2.6
EUR63010	6.3x10	6.3	9	7.8	2.6
EUR63011	6.3x11	6.3	11	7.8	2.6
EUR63013	6.3x13	6.3	13	7.8	2.6
EUR63016	6.3x16	6.3	16	7.2	2.6
EUR63010	6.3x10	6.3	9	7.2	2.2
EUR63013	6.3x13	6.3	13	7.2	2.2
EUR63016	6.3x16	6.3	16	7.2	2.2



EUR63011	6.3x11	6.3	11	7.2	2.2
EUR63013	6.3x13	6.3	13	7.2	2.2

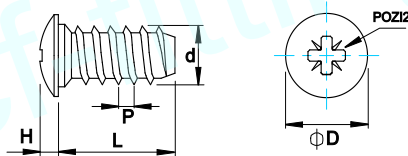
Euro screw - Pan head

ART.NO.	SIZE:	d	L	A	P
EURP6010	6x10	6	9	9	2.2
EURP6013	6x13	6	13	9	2.2
EURP63010	6.3x10	6.3	10	9	2.2
EURP63013	6.3x13	6.3	13	9	2.2



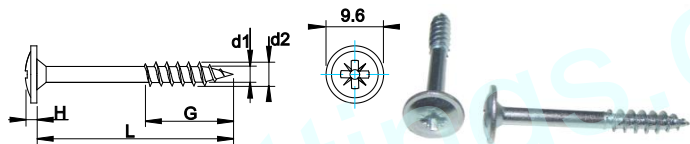
Euro screw - Pan head

ART.NO.	SIZE:	d	L	D	P
EURP60013	6x13	6	13	9	1.6
EURP63013	6.3x13	6.3	13	9	1.6



WASHER HEAD CHIPBOARD SCREW

ART.NO.	SIZE:	d	L	H	G
WHCPB4033	4x33	4	33	1.9	14

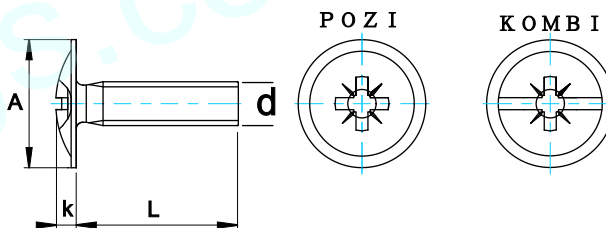


HANDLE SCREW

ART.NO.	SIZE:	d	D	L	k
HDS4008	M4x8	M4	9.5	8	1.8-2.3
HDS4010	M4x10	M4	9.5	10	1.8-2.3
HDS4012	M4x12	M4	9.5	12	1.8-2.3
HDS4014	M4x14	M4	9.5	14	1.8-2.3
HDS4015	M4x15	M4	9.5	15	1.8-2.3
HDS4018	M4x18	M4	9.5	18	1.8-2.3
HDS4020	M4x20	M4	9.5	20	1.8-2.3
HDS4022	M4x22	M4	9.5	22	1.8-2.3
HDS4025	M4x25	M4	9.5	25	1.8-2.3

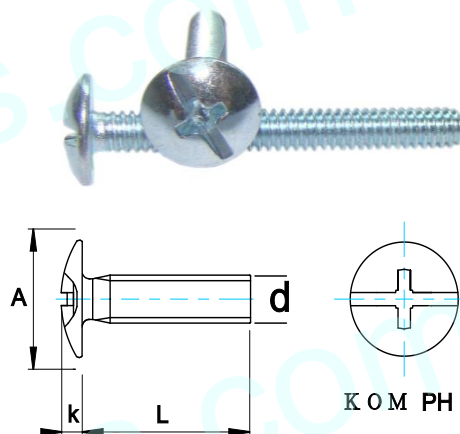


HDS4030	M4x30	M4	9.5	30	1.8-2.3
HDS4035	M4x35	M4	9.5	35	1.8-2.3
HDS4040	M4x40	M4	9.5	40	1.8-2.3
HDS4045	M4x45	M4	9.5	45	1.8-2.3
HDS4050	M4x50	M4	9.5	50	1.8-2.3
HDS50L	M5xL	M5	12	L	2.7-3
HDS60L	M6xL	M6	14	L	3.1-3.4



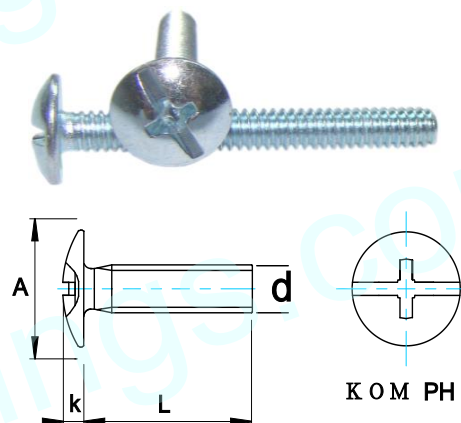
HANDLE SCREW TYPE B(COMBI)

ART.NO.	SIZE:	d	D	L	k
HDS4008C	M4x8	M4	9.5	8	2
HDS4010C	M4x10	M4	9.5	10	2
HDS4012C	M4x12	M4	9.5	12	2
HDS4014C	M4x14	M4	9.5	14	2
HDS4015C	M4x15	M4	9.5	15	2
HDS4018C	M4x18	M4	9.5	18	2
HDS4020C	M4x20	M4	9.5	20	2
HDS4022C	M4x22	M4	9.5	22	2
HDS4025C	M4x25	M4	9.5	25	2
HDS4030C	M4x30	M4	9.5	30	2
HDS4035C	M4x35	M4	9.5	35	2
HDS4040C	M4x40	M4	9.5	40	2
HDS4045C	M4x45	M4	9.5	45	2
HDS4050C	M4x50	M4	9.5	50	2



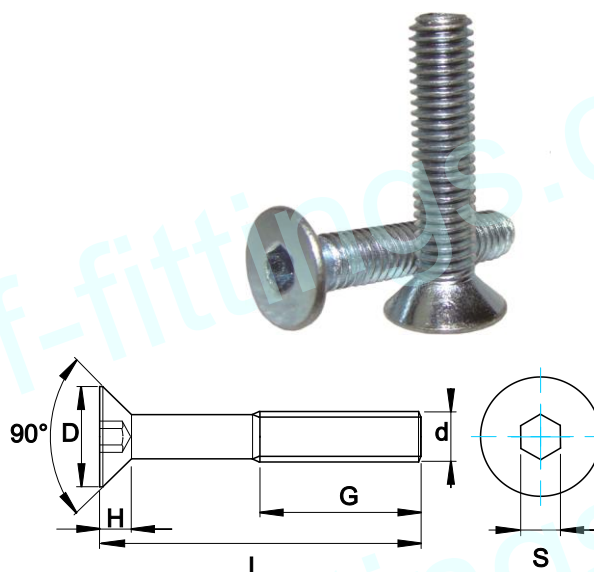
HANDLE SCREW TYPE B(COMBI)

ART.NO.	SIZE:	d	D	L	k
HDS4010C	5/32x10	M4	9.5	10	2
HDS4012C	5/32x12	M4	9.5	12	2
HDS4014C	5/32x14	M4	9.5	14	2
HDS4015C	5/32x15	M4	9.5	15	2
HDS4018C	5/32x18	M4	9.5	18	2
HDS4020C	5/32x20	M4	9.5	20	2
HDS4022C	5/32x22	M4	9.5	22	2
HDS4025C	5/32x25	M4	9.5	25	2
HDS4030C	5/32x30	M4	9.5	30	2
HDS4035C	5/32x35	M4	9.5	35	2
HDS4040C	5/32x40	M4	9.5	40	2
HDS4045C	5/32x45	M4	9.5	45	2
HDS4050C	5/32x50	M4	9.5	50	2



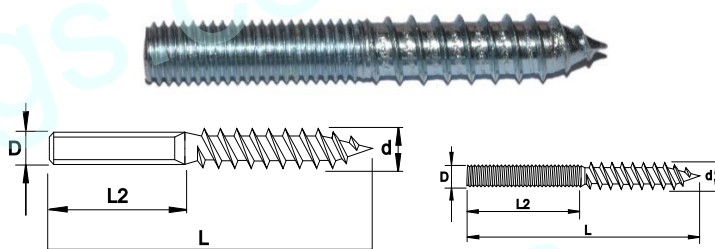
DIN7991 (Hexagon socket countersunk head screw)

ART.NO.	SIZE:	d	D	H	S	L	G
79916015	M6x15	M6	12	3.3	4	15	12
79916020	M6x20	M6	12	3.3	4	20	17
79916025	M6x25	M6	12	3.3	4	25	22
79916030	M6x30	M6	12	3.3	4	30	27
79916035	M6x35	M6	12	3.3	4	35	32
79916040	M6x40	M6	12	3.3	4	40	35
79916045	M6x45	M6	12	3.3	4	45	35
79916050	M6x50	M6	12	3.3	4	50	40
79916055	M6x55	M6	12	3.3	4	55	45
79916060	M6x60	M6	12	3.3	4	60	45
79916070	M6x70	M6	12	3.3	4	70	45
79916080	M6x80	M6	12	3.3	4	80	45
79916090	M6x90	M6	12	3.3	4	90	60
79916100	M6x100	M6	12	3.3	4	100	60
79916110	M6x110	M6	12	3.3	4	110	60
79916120	M6x120	M6	12	3.3	4	120	60
79918015	M8x15	M8	16	4.4	5	15	12
79918030	M8x30	M8	16	4.4	5	30	27
79918050-120	M8x50-120	M8	16	4.4	5	50	40



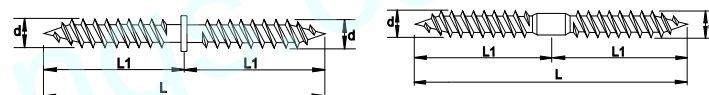
HANGER BOLT

ART.NO.	SIZE:	D	d	L	L2
HGB6050	M6x50	M6	6.3	25	25
HGB6070	M6x70	M6	6.3	35	35
HGB8050	M8x50	M8	8.5	25	25
HGB8060	M8x60	M8	8.5	30	30
HGB8070	M8x70	M8	8.5	35	35
HGB8080	M8x80	M8	8.5	40	40
HGB8090	M8x90	M8	8.5	45	45
HGB1070	M10x70	M10	10.5	35	35



HANGER BOLT BOUBLE SHARP POINT

ART.NO.	SIZE:	d	L	L	RING
HGBS7070R	7x70	7	70	34.5	φ8
HGBS7070	7x70	7	70	34.5	-



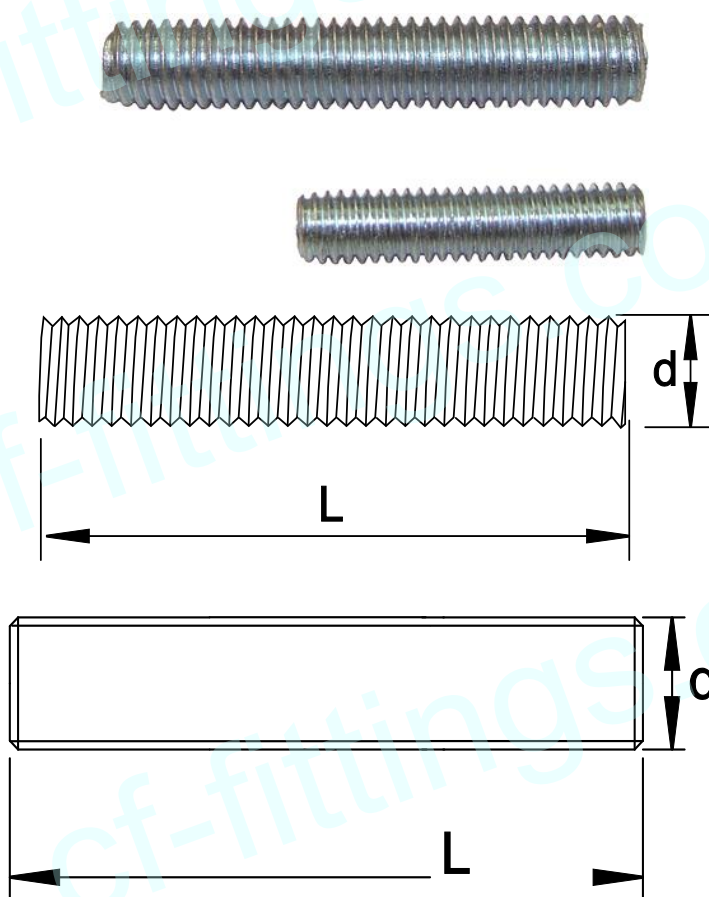
THREAD PIN 2XTH-threaded from both ends with a slop function

ART.NO.	SIZE:	D	L	L1	L2
TDR8060DS	M8x60	M8	60	15	39
TDR8080DS	M8x80	M8	80	15	59
TDR8090DS	M8x90	M8	90	15	69
TDR8090DS	M8x100	M8	100	10	75
TDR8050	M8x50	M8	50		



THREAD ROD

ART.NO.	SIZE:	D	L		
TDR4030	M4x30	M4	30		
TDR4050	M4x50	M4	50		
TDR5030	M5x30	M5	30		
TDR6026	M6x26	M6	26		
TDR6032	M6x32	M6	32		
TDR6038	M6x38	M6	38		
TDR6048	M6x48	M6	48		
TDR6057	M6x57	M6	57		
TDR6063	M6x63	M6	63		
TDR6078	M6x78	M6	78		
TDR6050	M6x50	M6	50		
TDR6060	M6x60	M6	60		
TDR6070	M6x70	M6	70		
TDR6080	M6x80	M6	80		
TDR6090	M6x90	M6	90		
TDR60100	M6x100	M6	100		
TDR8044	M8x44	M8	44		
TDR8057	M8x57	M8	57		
TDR8063	M8x63	M8	63		
TDR8050	M8x50	M8	50		
TDR8060	M8x60	M8	60		
TDR8070	M8x70	M8	70		
TDR8080	M8x80	M8	80		
TDR8090	M8x90	M8	90		
TDR8100	M8x100	M8	100		
TDR8110	M8x110	M8	110		
TDR8120	M8x120	M8	120		
TDR8130	M8x130	M8	130		
TDR10100	M10x100	M10	100		

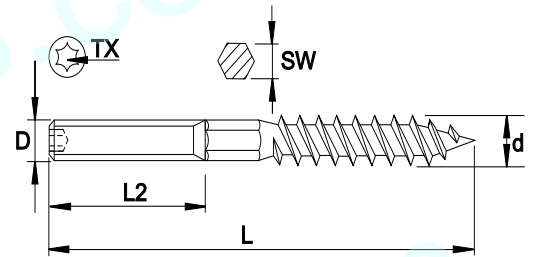
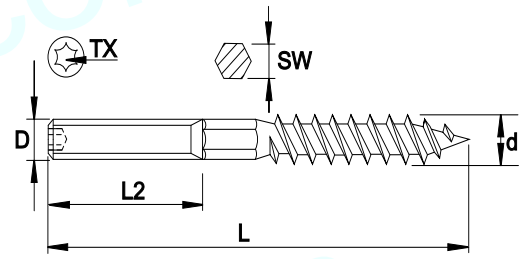


HANGER BOLT WITH HEX

ART.NO.	SIZE:	D	d	L	LM	LV	SW	TX
HGBX6050	M6x50	M6	6.3	50	11	30	-	T15
HGBX6060	M6x60	M6	6.3	60	20	37	-	T15
HGBX6070	M6x70	M6	6.3	70	25	37	-	T15
HGBX6080	M6x80			80	30	47	-	T15

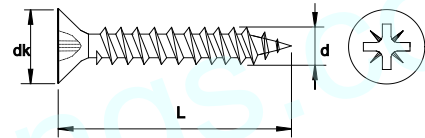


HGBX8050	M8x50	M8	8.5	50	15	30	6	T25
HGBX8060	M8x60	M8	8.5	60	20	30	6	T25
HGBX8070	M8x70	M8	8.5	70	25	37	6	T25
HGBX8080	M8x80	M8	8.5	80	30	37	6	T25
HGBX8090	M8x90	M8	8.5	90	40	37	6	T25
HGBX8100	M8x100	M8	8.5	100	40	47	6	T25
HGBX8110	M8x110	M8	8.5	110	40	47	6	T25
HGBX8120	M8x120	M8	8.5	120	50	47	6	T25
HGBX8130	M8x130	M8	8.5	130	50	47	6	T25
HGBX8140	M8x140	M8	8.5	140	50	47	6	T25
HGBX8150	M8x150	M8	8.5	150	50	47	6	T25
HGBX8160	M8x160	M8	8.5	160	50	47	6	T25
HGBX10050	M10x50	M10	10.7	50	15	37	8	T25
HGBX10060	M10x60	M10	10.7	60	20	37	8	T25
HGBX10070	M10x70	M10	10.7	70	20	37	8	T25
HGBX10080	M10x80	M10	10.7	80	20	47	8	T25
HGBX10090	M10x90	M10	10.7	90	20	57	8	T25
HGBX10100	M10x100	M10	10.7	100	30	57	8	T25
HGBX10110	M10x110	M10	10.7	110	40	57	8	T25
HGBX10120	M10x120	M10	10.7	120	40	57	8	T25
HGBX10130	M10x130	M10	10.7	130	40	57	8	T25
HGBX10140	M10x140	M10	10.7	140	40	57	8	T25
HGBX10150	M10x150	M10	10.7	150	40	57	8	T25
HGBX10160	M10x160	M10	10.7	160	40	57	8	T25



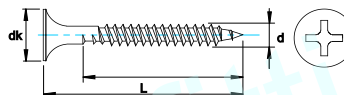
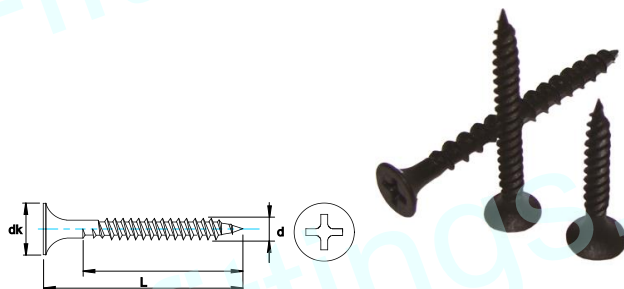
CHIPBOARD SCREW

d	3	3.5	4	5	6
dk max	6	7	8	10	12
pozi drive	1#	2#	2#	2#	3#
L					
16	●	●	●		
20	●	●	●		
25	●	●	●	●	
30		●	●	●	●
35		●	●	●	●
40		●	●	●	●
45		●	●	●	●
50		●	●	●	●
60			●	●	●
70			●	●	●
80				●	●
90				●	●
100				●	●



DRYWALL SCREW

d	3.5	3.9	4.2	3.5	3.9	4.2
dk max	8.4	8.4	8.4	8.4	8.4	8.4
pozi drive	2#	2#	2#	2#	2#	2#
Thread	Coarse	Coarse	Coarse	Fine	Fine	Fine
L						
16	●					
19	●	●	●	●	●	●
25	●	●	●	●	●	●
32	●	●	●	●	●	●
35	●	●	●	●	●	●
38	●	●	●	●	●	●
41		●	●	●	●	●
44		●	●	●	●	●
50		●	●	●	●	●
60			●			●



DIN7982

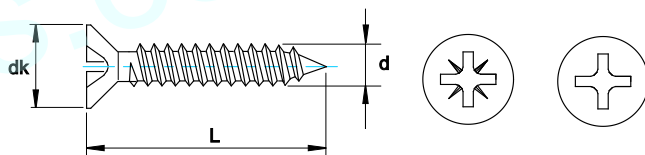
d	3.5	3.9	4.2	4.8	5.5	6.3
dk max	6.8	7.5	8.1	9.5	10.8	12.4
pozi drive	2#	2#	2#	2#	3#	3#
L						
6.5	●					
9.5	●	●	●			
13	●	●	●	●		
16	●	●	●	●	●	●
19	●	●	●	●	●	●





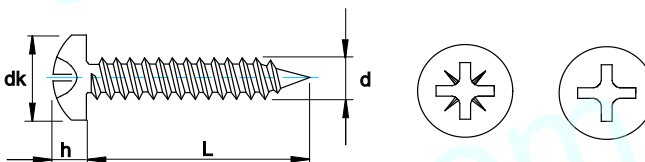
FURNITURE FITTINGS

22	●	●	●	●	●	●
25	●	●	●	●	●	●
32	●	●	●	●	●	●
38	●	●	●	●	●	●
45	●	●	●	●	●	●
50	●	●	●	●	●	●
60	●	●	●	●	●	●
70	●	●	●	●	●	●
75	●	●	●	●	●	●
80	●	●	●	●	●	●



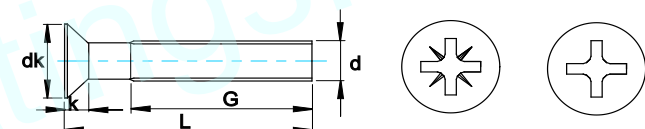
DIN7981

d	3.5	3.9	4.2	4.8	5.5	6.3
dk max	6.9	7.5	8.2	9.5	10.8	12.5
pozi drive	2#	2#	2#	2#	3#	3#
L						
6.5	●					
9.5	●	●	●			
13	●	●	●	●		
16	●	●	●	●	●	●
19	●	●	●	●	●	●
22	●	●	●	●	●	●
25	●	●	●	●	●	●
32	●	●	●	●	●	●
38	●	●	●	●	●	●
45	●	●	●	●	●	●
50	●	●	●	●	●	●
60	●	●	●	●	●	●
70	●	●	●	●	●	●
75	●	●	●	●	●	●
80	●	●	●	●	●	●



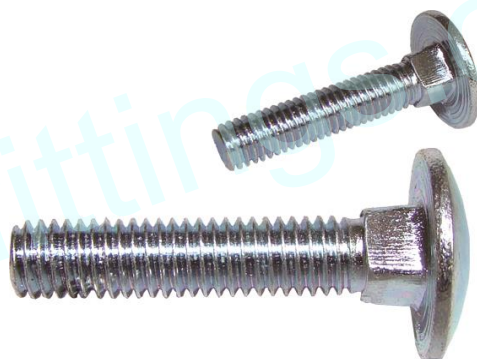
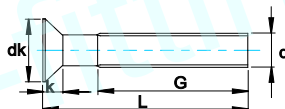
DIN965

d	M3	M4	M5	M6	M8	M8
dk	5.6	7.5	9.2	11	14.5	18
k	1.65	2.2	2.5	3	4	5
Phillips/Pozi	1#	2#		3#	4#	4#
8	●	●	●	●		
10	●	●	●	●		
12	●	●	●	●	●	
16	●	●	●	●	●	●
18	●	●	●	●	●	●
20	●	●	●	●	●	●
22	●	●	●	●	●	●
25	●	●	●	●	●	●
30	●	●	●	●	●	●
35	●	●	●	●	●	●
40	●	●	●	●	●	●
45	●	●	●	●	●	●
50	●	●	●	●	●	●
60	●	●	●	●	●	●
70	●	●	●	●	●	●
80	●	●	●	●	●	●
90	●	●	●	●	●	●
100	●	●	●	●	●	●

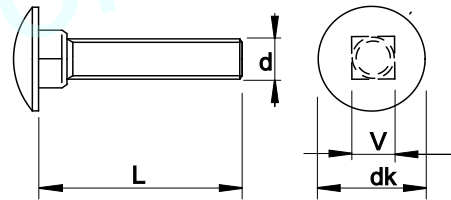


DIN603

d	M5	M6	M8	M10	M12	M16
dk	13	16	20	24	30	38
v	5	6	8	10	12	16
k	3	3.5	4.5	5	6.5	8.5
L						
12	●	●				
16	●	●	●			
18	●	●	●			
20	●	●	●	●		
22	●	●	●	●		
25	●	●	●	●		
30	●	●	●	●	●	
35	●	●	●	●	●	
40	●	●	●	●	●	●
45	●	●	●	●	●	●
50	●	●	●	●	●	●
55	●	●	●	●	●	●
60	●	●	●	●	●	●
65	●	●	●	●	●	●
70	●	●	●	●	●	●

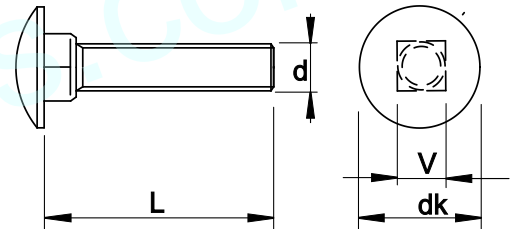


80	●	●	●	●	●	●
90		●	●	●	●	●
100		●	●	●	●	●
110		●	●	●	●	●
120		●	●	●	●	●
up to			200	300	300	300



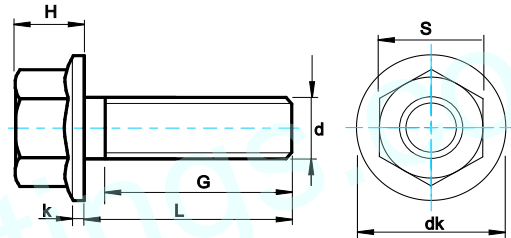
Carriage bolt

Length	SIZE:	SIZE:	SIZE:	SIZE:	SIZE:	SIZE:	SIZE:
	#1/4-20	#5/16-18	#3/8-16	#7/16-14	#1/2-13	#5/8-11	#3/4-10
1/2"	●						
5/8"	●	●					
3/4"	●	●	●				
1"	●	●	●	●	●		
1-1/4"	●	●	●	●	●		
1-1/2"	●	●	●	●	●	●	
1-3/4"	●	●	●	●	●	●	
2"	●	●	●	●	●	●	●
2-1/4"	●	●	●	●	●	●	●
2-1/2"	●	●	●	●	●	●	●
2-3/4"	●	●	●	●	●	●	●
3"	●	●	●	●	●	●	●
3-1/4"	●	●	●	●	●	●	●
3-1/2"	●	●	●	●	●	●	●
3-3/4"	●	●	●	●	●	●	●
4"	●	●	●	●	●	●	●
4-1/2"		●	●	●	●	●	●
5"		●	●	●	●	●	●
up to		10"	12"	12"	12"	14"	14"



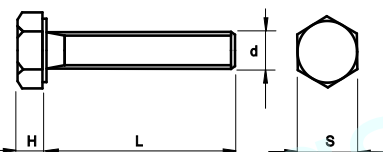
DIN6921

d	M5	M6	M8	M10	M12	M14	M16
p	0.8	1	1.25	1.5	1.75	2	2
H max	5.4	6.6	8.1	9.2	11.5	12.8	14.4
s	8	10	13	15	16	18	21
dk max	11.8	14.2	18	22.3	26.6	30.5	35
L							
12	●	●					
16	●	●	●				
18	●	●	●				
20	●	●	●	●			
22	●	●	●	●			
25	●	●	●	●			
30	●	●	●	●	●		
35	●	●	●	●	●		
40	●	●	●	●	●	●	
45	●	●	●	●	●	●	●
50	●	●	●	●	●	●	●
55	●	●	●	●	●	●	●
60	●	●	●	●	●	●	●
65		●	●	●	●	●	●
70		●	●	●	●	●	●
80		●	●	●	●	●	●



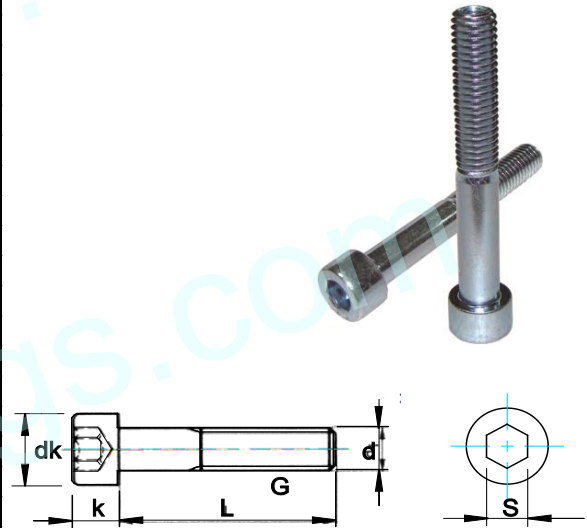
DIN933

d	M5	M6	M8	M10	M12	M14	M16	M18	M20	M22
k	3.5	4	5.3	6.4	7.5	8.8	10	11.5	12.5	14
s	7	10	6.4	7.5	8.8	10	11.5	12.5	14	15
L										
12	●	●								
16	●	●	●							
18	●	●	●							
20	●	●	●	●	●					
22	●	●	●	●	●					
25	●	●	●	●	●	●				
30	●	●	●	●	●	●	●			
35	●	●	●	●	●	●	●	●		
40	●	●	●	●	●	●	●	●	●	
45	●	●	●	●	●	●	●	●	●	●
50	●	●	●	●	●	●	●	●	●	●
55		●	●	●	●	●	●	●	●	●
60		●	●	●	●	●	●	●	●	●
up to		100	150	250	250	250	300	300	300	300



DIN912

d	M5	M6	M8	M10	M12	M14	M16
dk	8.5	10	13	16	18	21	24
k	5	6	8	10	12	14	16
s	4	5	6	8	10	12	14
L							
12	●	●					
16	●	●	●				
18	●	●	●				
20	●	●	●	●			
22	●	●	●	●			
25	●	●	●	●			
30	●	●	●	●	●		
35	●	●	●	●	●		
40	●	●	●	●	●	●	●
45	●	●	●	●	●	●	●
50	●	●	●	●	●	●	●
55		●	●	●	●	●	●
60		●	●	●	●	●	●
65		●	●	●	●	●	●
70		●	●	●	●	●	●
80		●	●	●	●	●	●
90		●	●	●	●	●	●
100		●	●	●	●	●	●



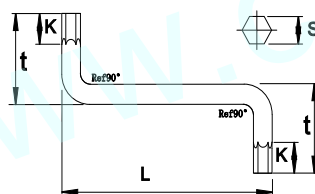
DIN571

d	5	6	7	8	10	12	16
k	3.5	4	5	5.5	7	8	10
s	8	10	12	13	17	19	24
L							
12	●	●					
16	●	●	●				
18	●	●	●				
20	●	●	●	●	●		
22	●	●	●	●	●		
25	●	●	●	●	●	●	
30	●	●	●	●	●	●	●
35	●	●	●	●	●	●	●
40	●	●	●	●	●	●	●
45	●	●	●	●	●	●	●
50	●	●	●	●	●	●	●
55	●	●	●	●	●	●	●
60	●	●	●	●	●	●	●
65	●	●	●	●	●	●	●
70	●	●	●	●	●	●	●
80	●	●	●	●	●	●	●
90		●	●	●	●	●	●
100		●	●	●	●	●	●
up to		150	150	200	300	350	400



HEXAGON KEY MINI-ROUND BODY Z TYPE

ART.NO.	SIZE:	SW	L	t	S1	S2
RALK45Z	SW4/5	4/5	48	20	SW4	SW5



8001



8002



8003



8004



8005



8006



8007



8008



8009



8010



8011



8012



8013



8014



8015



8016



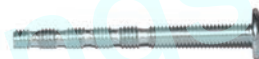
8017



8018



8019



8020



8021



8022



8023



8024



8025



8026



8027



8028



8029



8030

